

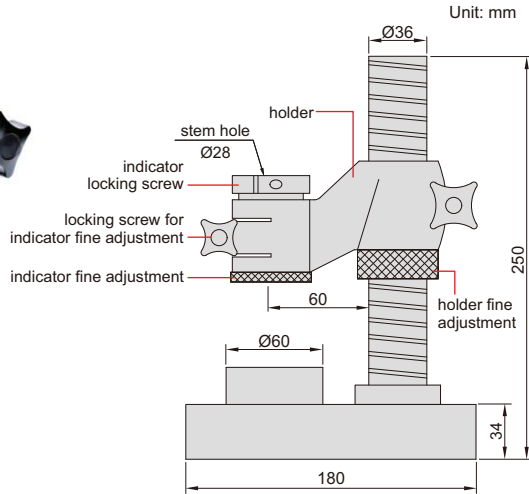
# DIAL INDICATOR STAND

GAGE BLOCKS ARE NEEDED FOR ZERO SETTING

digital/dial indicator is optional



6845-100



locating fork for workpieces (included)



- Vertical travel of holder: 100mm
- Holder fine adjustment range: entire stroke
- Indicator fine adjustment range: 3mm
- Optional accessory: Ø28mm/Ø8mm bush (code 6843-B8), 0.001mm digital/dial indicators, high precision digital indicators (code 2140-6, 2140-6WL), gage blocks (4101 series, for zero setting)

application



Ø28mm/Ø8mm bush (optional)

Code  
6843-B8



Code	Applicable holding stem	Anvil
6845-100	Ø28mm	serrated, flatness 1µm